



FEATURES

- Non-resettable mechanical totalizer
- 2, 3, 4, 6, 8" pipe sizes
- Optional pulse output
- Rugged construction
- Accurate and economical



2", 3" and 4" WJ Meters

APPLICATIONS

- Remote totalizing
- Pacing electronic metering pumps
- Cooling water monitoring
- Industrial fluid control
- Water/Wastewater treatment

GENERAL INFORMATION

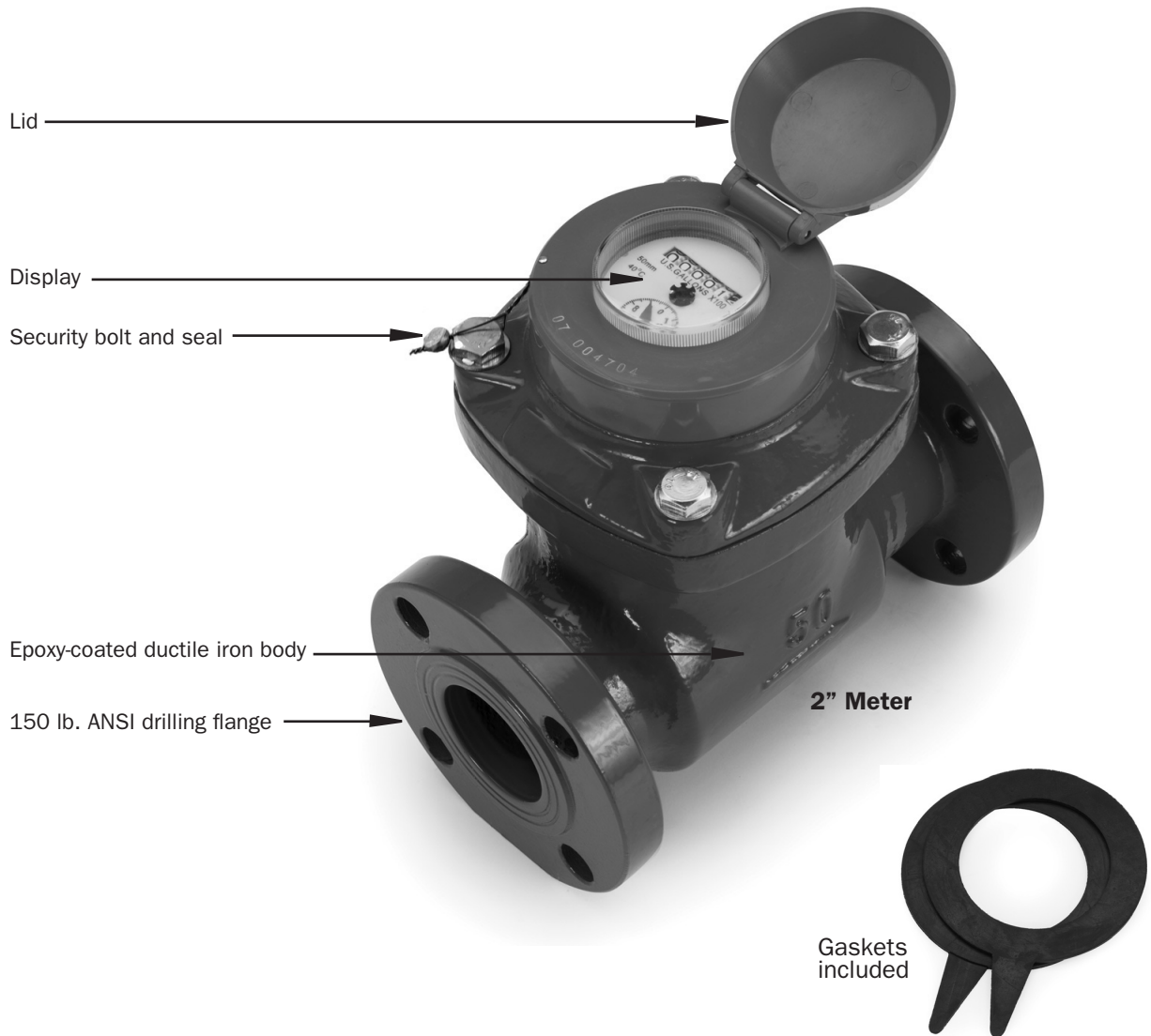
WJ-Series turbine meters are dry-register mechanical totalizers that offer accurate, economical reading of high flows with low pressure loss. The horizontal-axis turbine drives a vertical shaft, which is magnetically coupled to the sealed register.

In addition to mechanical totalizing, registers can be equipped with magnetic pulse reed sensors well suited for remote totalizing, pacing of electronic metering pumps, and water treatment applications.

Bodies are manufactured of tough ductile iron and epoxy-coated for protection. Tungsten steel shafts and jewel bearings further enhance the durability of these meters. Simple removal of the top flange brings out all parts for inspection, repair, or replacement. The meter has a tamper-evident seal to call attention to unauthorized access.

Compatible SeaMetrics controls include the PT35 pulse timer, the PD10 pulse divider, and the PS40 pulse splitter for running multiple pulse-responsive devices (e.g. pumps, counter timers and remote totalizers) with a single WJ meter.

FEATURES



SPECIFICATIONS

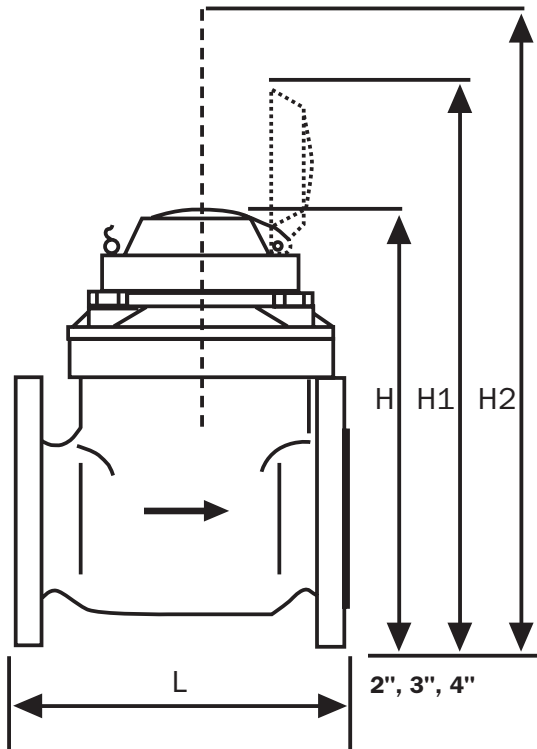
Materials	Meter Body	Cast iron, epoxy coating
	Register Plate	ABS plastic
	Drive Magnet	Alnico
	Turbine	Plastic
	Turbine Shafts	Tungsten steel
	Bearings	Jewel
Flanges	150 lb. ANSI drilling	
Maximum Pressure	200 psi (14 bar)	
Maximum Temperature	105° F (40° C)	
Accuracy*	Above Transition	+/-2% of reading
	Below Transition	+/-5% of reading
Reed Switch	100 mA @ 24 Vac/dc	

FLOW RANGE (GPM)

	2"	3"	4"	6"	8"
Minimum	2	5.3	8	20	33
Max. Continuous	132	352	528	1320	2200
Max. Intermittent	165	440	660	1650	2750
Transition*	16	24	40	80	140

*The flow rate at which accuracy changes from +/-2% of reading (above Transition) to +/-5% of reading (below Transition).

DIMENSIONS

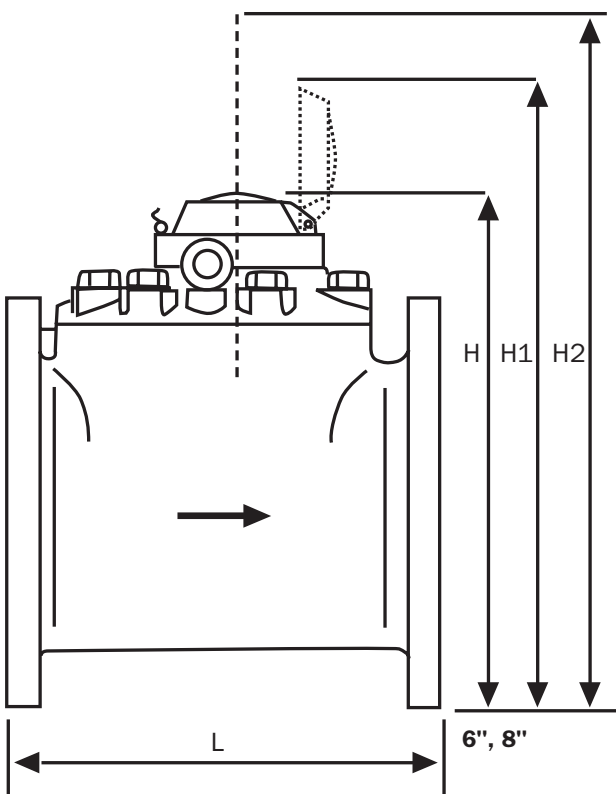


2", 3", 4" Dimensions

	2"	3"	4"
L	7.87"	8.86"	9.84"
H	10.08"	10.87"	11.26"
H1	12.91"	13.70"	14.09"
H2	15.75"	15.75"	15.75"
Wt.	31 lbs.	45 lbs.	47 lbs.

H1 = Lid clearance for reading display

H2 = Head clearance for replacing turbine insert



6", 8" Dimensions

	6"	8"
L	11.81"	13.78"
H	13.60"	14.78"
H1	16.44"	17.62"
H2	19.68"	19.68"
Wt.	95 lbs.	131 lbs.

H1 = Lid clearance for reading display

H2 = Head clearance for replacing turbine insert

HOW TO ORDER

MODEL	SIZE	OPTIONS	PULSE RATE (Select with Option -17 Only)										
WJ	2" = -200 3" = -300 4" = -400 6" = -600 8" = -800	Pulse Output/Reed Switch = -17 (Select pulse rate at right)	<table border="1"> <thead> <tr> <th>Meter Size</th> <th>Pulse Rate</th> </tr> </thead> <tbody> <tr> <td>2"</td> <td>10 Gal/Pulse = 10G</td> </tr> <tr> <td>2"/3"/4"/6"</td> <td>100 Gal/Pulse = 100G</td> </tr> <tr> <td>3"/4"/6"/8"</td> <td>1000 Gal/Pulse = 1000G</td> </tr> <tr> <td>8"</td> <td>10,000 Gal/Pulse = 10000G</td> </tr> </tbody> </table>	Meter Size	Pulse Rate	2"	10 Gal/Pulse = 10G	2"/3"/4"/6"	100 Gal/Pulse = 100G	3"/4"/6"/8"	1000 Gal/Pulse = 1000G	8"	10,000 Gal/Pulse = 10000G
Meter Size	Pulse Rate												
2"	10 Gal/Pulse = 10G												
2"/3"/4"/6"	100 Gal/Pulse = 100G												
3"/4"/6"/8"	1000 Gal/Pulse = 1000G												
8"	10,000 Gal/Pulse = 10000G												
WJ													

ACCESSORIES
Pulse Timer = **PT35**
Pulse Divider = **PD10**
Pulse Splitter = **PS40**

CONTACT YOUR SUPPLIER