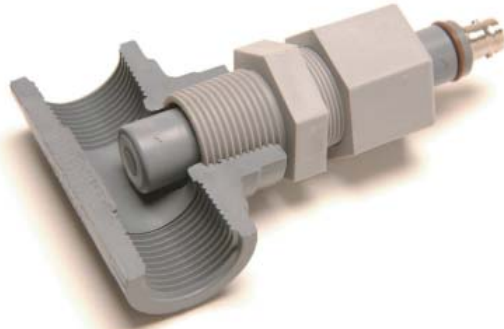




Flat-surface, Self-cleaning pH and ORP Electrodes



Quick Disconnect Design Saves Time and Money

Installs in Seconds, No Tools Needed

Flat Surface Design Resists Coating

CPVC or PVDF Models Available

Available with or without ATC Elements

In-line mountings are ideal for replacing existing threaded electrodes. They are useful in piping systems where flow can be shut off for electrode maintenance and where flow rates match the application's needs; for example turbulent flow is needed in self-cleaning applications. A simple, reusable gland is used to mount the electrode. Electrodes, glands and flow cells are available to fit 3/4", 1" and 2" lines. Mounting hardware is available with or without ATC elements. Choose from standard electrode models with HT gels, low ionic models and HF resistant models.

Specifications

Range: 0-14pH (0-12pH without Na+ error)
+/- 2000mV for ORP

Body material: CPVC

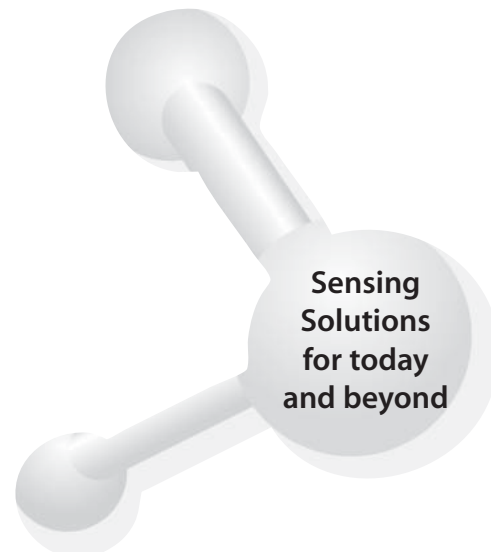
Junction Material: Porous HDPE

Min Temperature: 10C/50F

Max Temperature: 75C/170F = 100 psig
81C/180F = 85 psig
100C/212F = 50 psig

Pressure: 0-100 psig (7.5 Bar)- see max temp

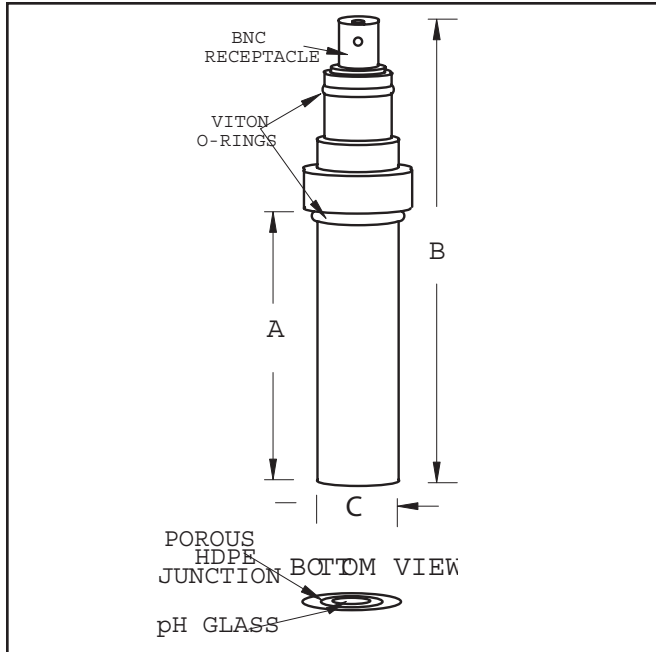
Reference Type: Double Junction



**Sensing
Solutions
for today
and beyond**

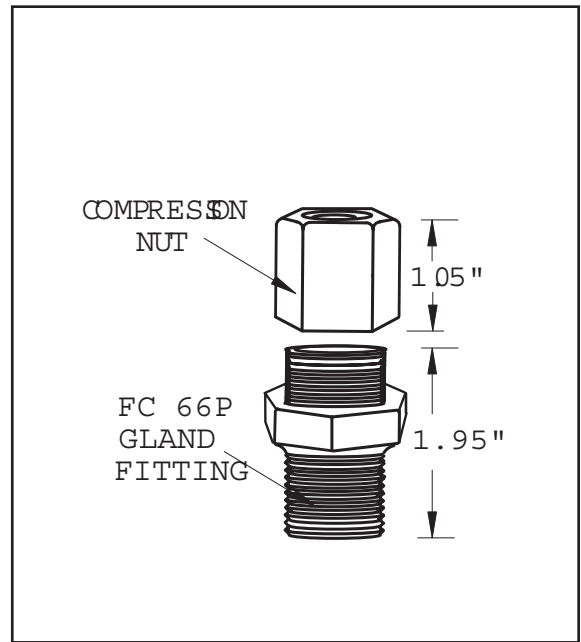
Parts covered by this product data sheet include:
S660CD, S660CD-ORP, S661CD, S661CD-ORP,
S662CD, 970167, 970168

CPVC pH AND ORP ELECTRODES FOR IN-LINE INSTALLATION

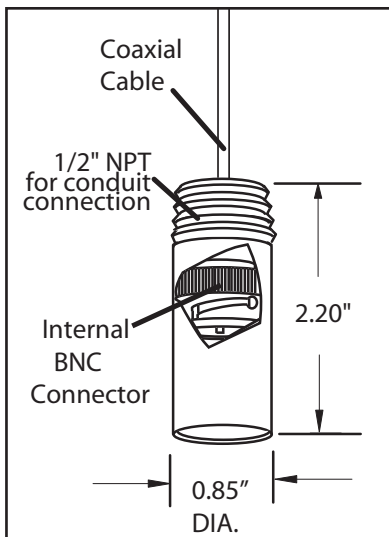


MODEL NO.	DIM. A	DIM. B	DIM. C
S660CD	2.50"	4.25"	0.75"
S661CD	3.50"	5.25"	0.75"
S662CD	4.25"	5.90"	0.75"

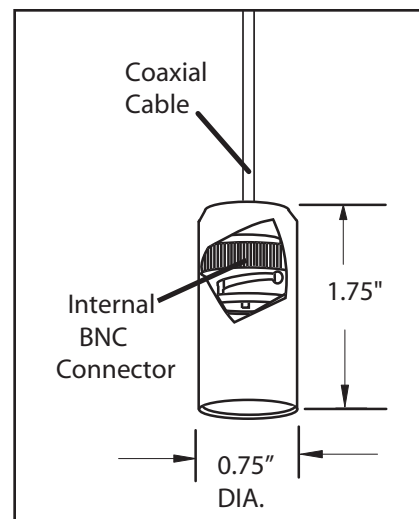
FC66P GLAND AND NUT FITTING FOR IN-LINE INSTALLATION

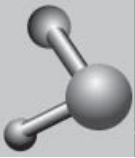


S653 CABLE ASSEMBLY FOR CONDUIT USE WITH IN-LINE ELECTRODES WITHOUT ATC

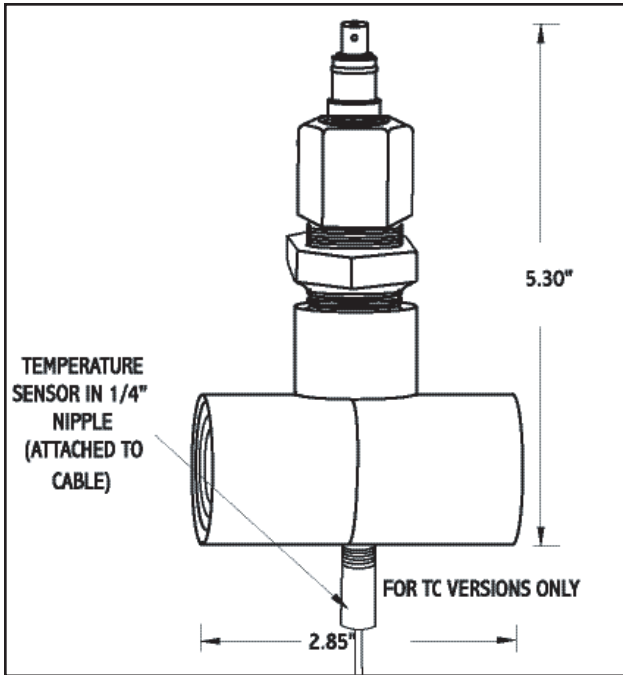


S648 CABLE ASSEMBLY FOR EXPOSED USE WITH IN-LINE ELECTRODES WITHOUT ATC

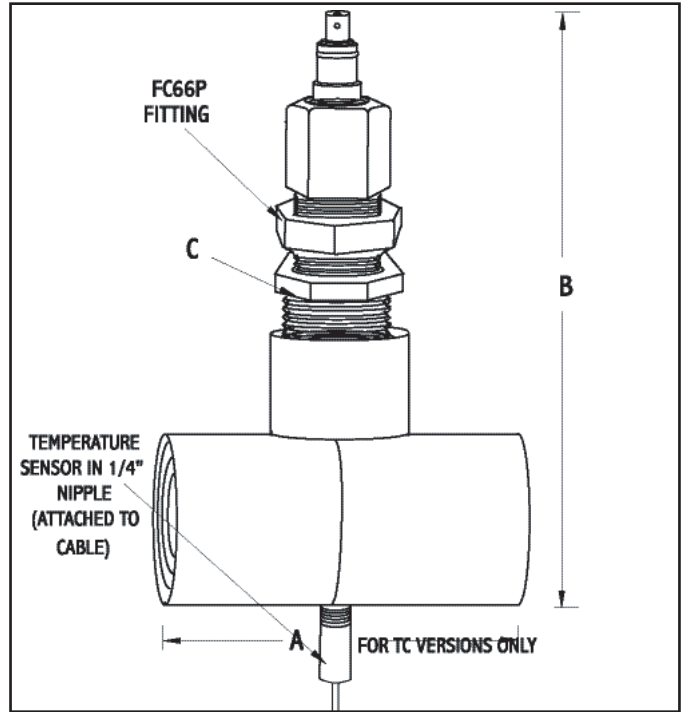




INSTALLATION DRAWING OF S660CD
IN 3/4" TEE



INSTALLATION DRAWING OF S661CD OR
S662CD IN 1" OR 2" TEE



MODEL NO.	DIMENSION A	DIMENSION B	DIMENSION C
FC67P/TC	2.50"	4.25"	3/4" x 1" REDUCER
FC68P/TC	3.50"	5.25"	3/4" x 2" REDUCER

PRODUCT SPECIFICATION SHEET

ORDERING INFORMATION

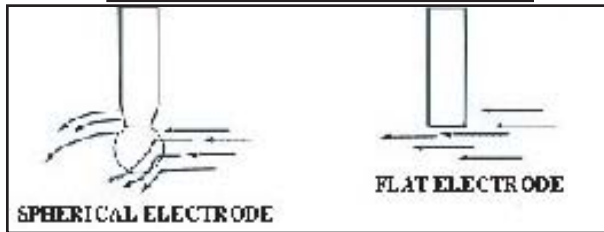
Systems without temperature compensation

ORDER 3 ITEMS	DESCRIPTION	CPVC PARTS	KYNAR (PVDF) PARTS
1. Select one flow cell and gland or gland only	Flow cell and gland Gland only(1" and 2" include reducing bushing)	FC66C(3/4"), FC67C(1"), FC68C(2") FC66P, FC67PFC68P	N/A
2. Select one electrode	Combination pH electrode	S660CD (3/4"), S661CD(1"), S662CD(2") OR SAME MODELS WITH -LC FOR LOW IONIC SAMPLES OR -HF FOR SAMPLES CONTAINING ACIDIC FLOURIDES.	N/A
	ORP combination electrode	S660CD-ORP(3/4"), S661CD-ORP(1") S662CD-ORP(2")	N/A
3. Select one cable assembly	For conduit use	S653-"cable length"-connector"	—
	For exposed cable use	S648-"cable length"-connector"	N/A

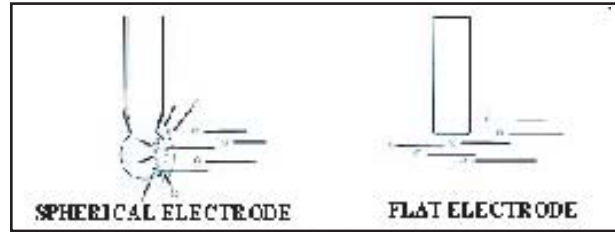
Systems with temperature compensation

ORDER 2 ITEMS	DESCRIPTION	CPVC PARTS	KYNAR (PVDF) PARTS
1. Select one flow cell	Flow cell, cable assembly with ATC	FC66TC-"ATC CODE"-cable length-connectors (3/4")	N/A
		FC67TC-"ATC CODE"-cable length-connectors (1")	" "
		FC68TC-"ATC CODE"-cable length-connectors (2")	" "
2. Select one electrode	Combination pH electrode	S660CD (3/4"), S661CD(1"), S662CD(2")	N/A
	ORP combination electrode	S660CD-ORP(3/4"), S661CD-ORP(1") S662CD-ORP(2")	" " " "

SELF-CLEANING OPERATION



ABRASION-FREE OPERATION



VISCOUS MATERIAL OPERATION

