



PRODUCT SPECIFICATIONS

Flat-surface, Self-cleaning pH and ORP Electrodes

In-line pH and ORP electrodes, flow cells, fittings and cables

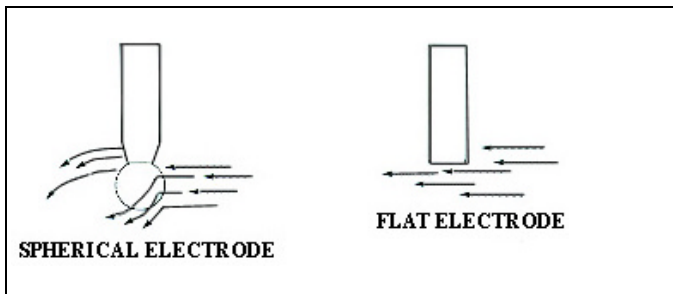
Parts covered by this specification sheet include: S660CD, S660CD-ORP, S661CD, S661CD-ORP, S662CD, 970167, 970168

- Change electrode in seconds!
- Available with ATC for most makes and models of transmitters and controllers
- Easy-to-clean flat-surface pH glass and platinum ORP surface
- Available in 3/4", 1" and 2" tee mount styles

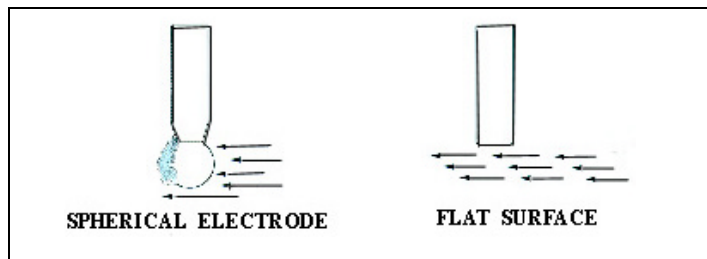
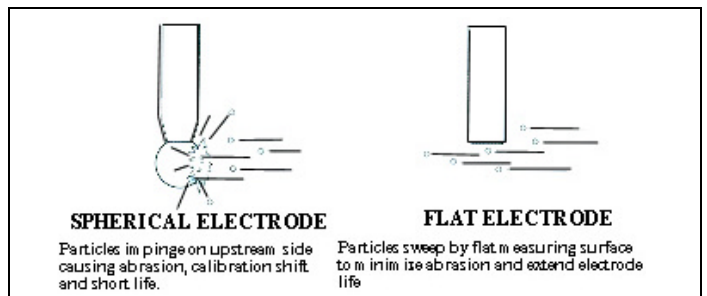


In-line mountings are ideal for replacing existing threaded electrodes. They are useful in piping systems where flow can be shut off for electrode maintenance and where flow rates match the application's needs; for example turbulent flow is needed in self-cleaning applications. A simple, reusable gland is used to mount the electrode. Electrodes, glands and flow cells are available to fit 3/4", 1" and 2" lines.

SELF-CLEANING OPERATION



ABRASION-FREE OPERATION

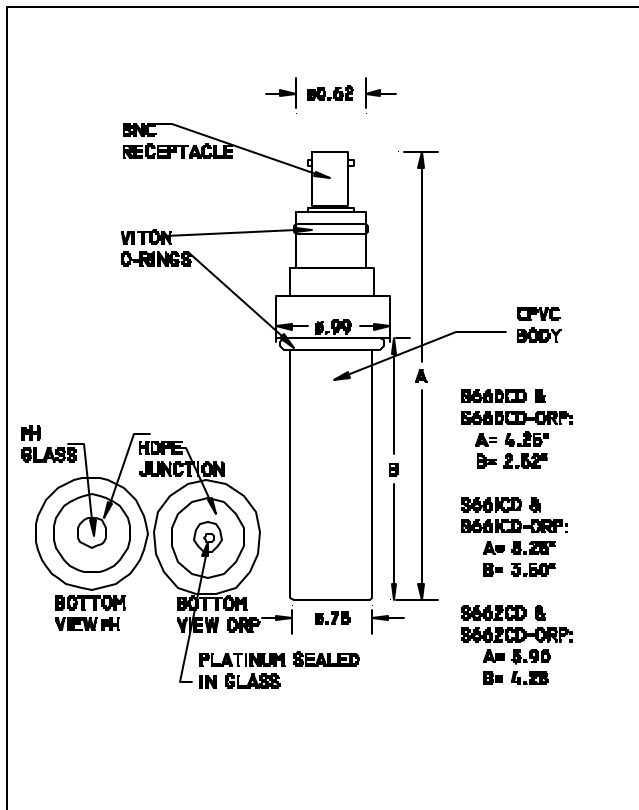


VISCOUS MATERIAL OPERATION

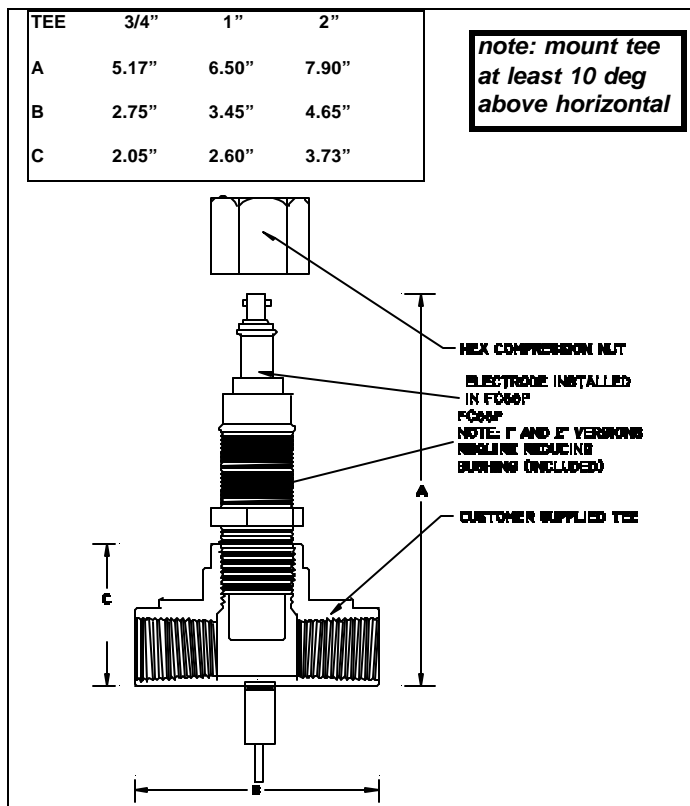
In-line pH and ORP electrodes, flow cells, fittings and cables (cont.)

Parts covered by this specification sheet include: S660CD, S660CD-ORP, S661CD, S661CD-ORP, S662CD, 970167, 970168

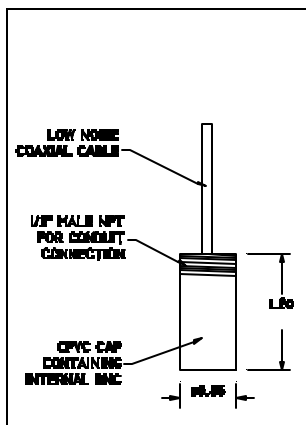
CPVC pH AND ORP ELECTRODES FOR IN-LINE INSTALLATION



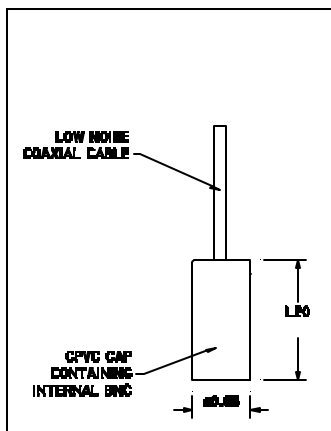
CUT AWAY DRAWING OF S660CD/ORP IN 3/4" TEE



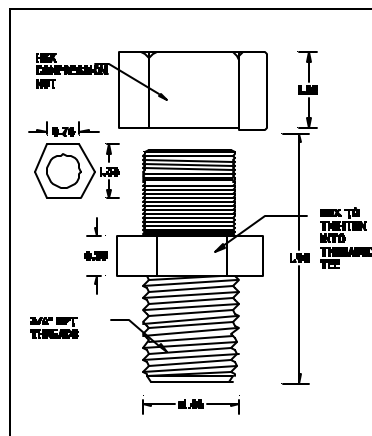
CPVC OR KYNAR CABLE WITHOUT ATC EXPOSED CABLE MOUNTING



CPVC OR KYNAR CABLE WITHOUT ATC WITH CONDUIT CONNECTION



FC66P GLAND AND NUT FITTING FOR IN-LINE INSTALLATION



In-line pH and ORP electrodes, flow cells, fittings and cables (cont.)

Parts covered by this specification sheet include: S660CD, S660CD-ORP, S661CD, S661CD-ORP, S662CD, 970167, 970168

ORDERING INFORMATION

Systems without temperature compensation

ORDER 3 ITEMS	DESCRIPTION	CPVC PARTS	KYNAR (PVDF) PARTS
1. Select one flow cell and gland or gland only	Flow cell and gland Gland only(1" and 2" include reducing bushing)	FC66C(3/4"), FC67C(1"), FC68C(2") FC66P, FC67PFC68P	N/A
2. Select one electrode	Combination pH electrode	S660CD (3/4"), S661CD(1"), S662CD(2")	N/A
	ORP combination electrode	S660CD-ORP(3/4"), S661CD-ORP(1") S662CD-ORP(2")	N/A
3. Select one cable assembly	For conduit use	S653-"cable length"-connector"	---
	For exposed cable use	S648-"cable length"-connector"	---

Systems with temperature compensation

ORDER 2 ITEMS	DESCRIPTION	CPVC PARTS	KYNAR (PVDF) PARTS
1. Select one flow cell	Flow cell, cable assembly with ATC	FC66TC-"ATC CODE"- cable length- connectors (3/4")	N/A
		FC67TC-"ATC CODE"- cable length- connectors (1")	" "
		FC68TC-"ATC CODE"- cable length- connectors (2")	" "
2. Select one electrode	Combination pH electrode	S660CD (3/4"), S661CD(1"), S662CD(2")	N/A
	ORP combination electrode	S660CD-ORP(3/4"), S661CD-ORP(1") S662CD-ORP(2")	" "

SPECIFICATIONS

Wetted Materials:

CPVC Electrodes:

pH: CPVC, HDPE, Glass, Viton, EPR
ORP: CPVC, HDPE, Platinum sealed in glass

Range of Measurement:

pH electrodes: 0-14 pH
ORP electrodes: +/- 2000mV

Speed of Response:

pH electrodes: 95% in 5 seconds

Pressure Maximum:

CPVC pH and ORP Electrodes:

75C/170F = 100 psig
81C/180F = 85 psig
100C/212F = 50 psig

Temperature Maximum:

CPVC electrode models:

S660CD, S661CD, S662CD = 212F
S660CD-ORP, S661CD-ORP,
S662D-ORP= 212F