



General Information

The FT520 is a batching flow processor with additional output features. It is designed for use with SeaMetrics flow meters and flow sensors, as well as other units which have frequency output proportional to flow. In addition to batch function, the FT520 indicates flow rate and accumulated total in large digits on an easily-read backlit display. Units are user selectable, and range from milliliters per second to million gallons per day.

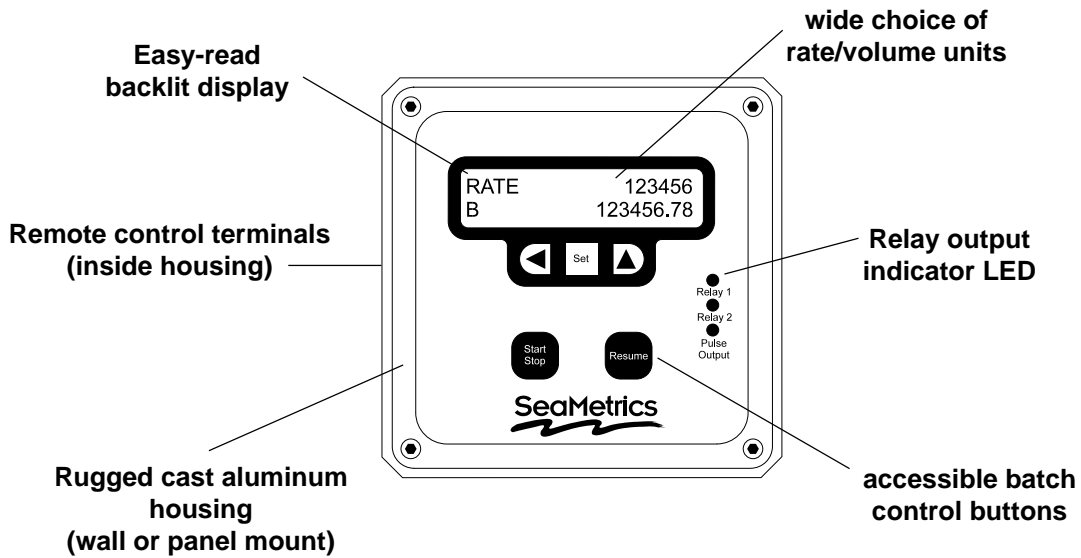
Batch output is controlled by two relays. The main relay starts and stops the batch as set. The auxiliary "prewarn" relay can be used to operate a second valve, in order to have a staged shut off at the end of the batch, for maximum accuracy.

Analog output (4-20 mA, 0-10 VDC) is included for applications requiring it, such as flow rate logging. Two programmable pulse outputs are also standard, and can be used, for example, to provide proportional chemical feed with a pulse-responsive metering pump.

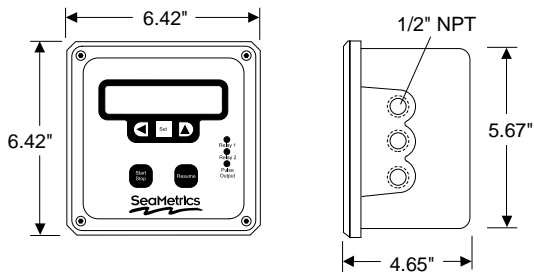
Specifications

Power	115/220 VAC, 50/60 Hz, 12-24 VDC
Temperature	32° - 130° F (0° - 55° C)
Enclosure	Precision cast aluminum, NEMA 4X
Batch Outputs	Two Form C SPDT relay, 115 VAC 5A max
Max Pulse Output	100 mA at 60 VDC
Memory Type	Non-volatile EEPROM auto-backup
Sensor Power	12 VDC, 10 mA
Totalizer	8 digit
Rate Display	5 digit
Volume Units	Gallons, cubic feet, cubic meters, liters, million gallons
Time Units	Seconds, minutes, hours, days
Analog Output	4-20 mA, 0-10 VDC, opto-isolated
Sensor Input	Open collector current sink, ESD protected
Max Input Frequency	1,000 Hz
Shipping Weight	7 lbs

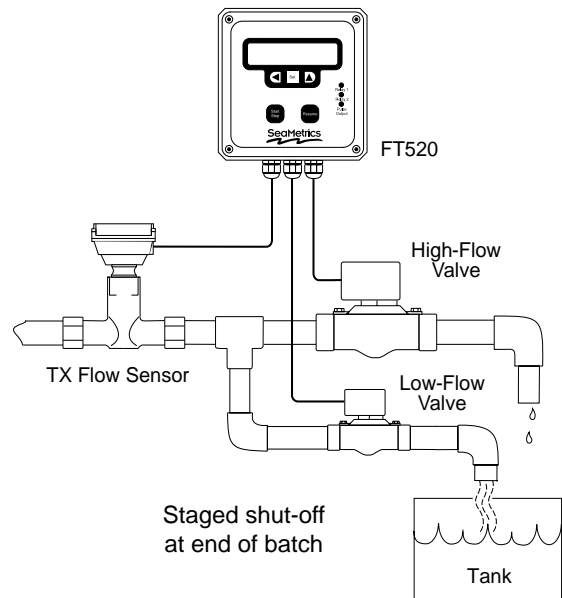
Features



Dimensions



Typical Dual-Flow Batch Application



How To Order

Option Code (see options below)
FT520- _____

Option codes:

- 84** Regeneration control
- 86** Alarm relay output

SeaMetrics

20419 80th Ave. So., Kent, WA 98032 USA
 Phone: 253-872-0284 Fax: 253-872-0285
www.seametrics.com 1-800-975-8153